

Vacuum Ironing Tables

FIT2A, FIT2B



Model FIT2A shown

Features and benefits

- Heated to keep the working surface dry
- Utility shape for general purpose
- Integral vacuum fan holds the garment in place and dries the fabric after pressing
- Steam electric iron c/w separator versatile
- Integral boiler for simple installation

FIT2A

FIT2B

X	X
X	X
X	X
-	X
-	X

Main options

- Steam electric iron c/w separator
- Free standing boiler for simple installation
- Cold spotting gun(s) for removal of spots
- Steam gun for removal of spots
- Steam/air gun for removal of spots
- Sleeve arm for pressing awkward shapes
- Spotting arm for spotting
- Overhead gantry to support iron hoses
- Iron balancer reduces operator fatigue
- Light, illuminates the working area

X	-
X	-
X	X
X	X
X	X
X	X
X	X
X	X
X	X
X	X

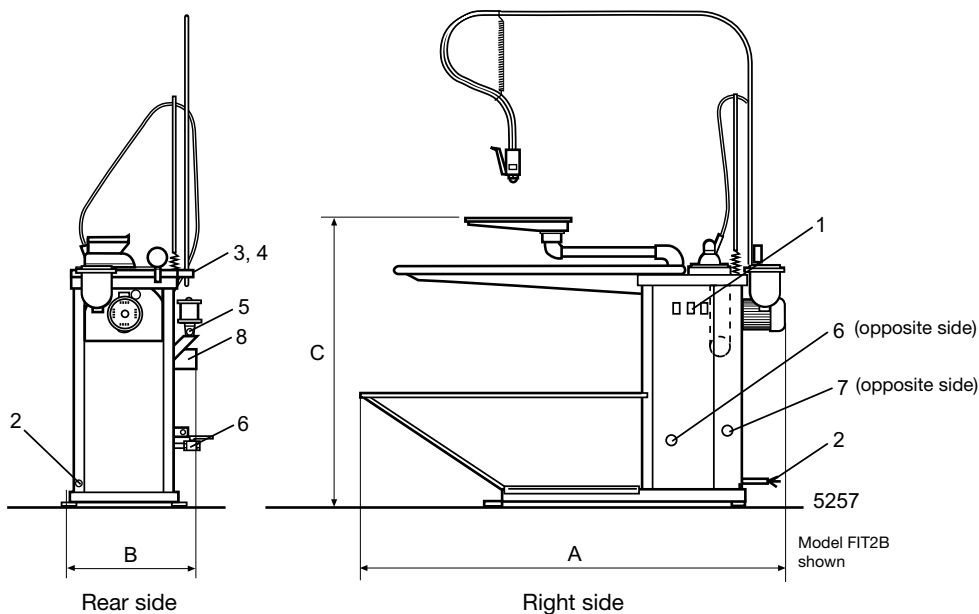
x available
 - not available

Electrical connections		FIT2A	FIT2B
Voltage			
208-240V 1 AC 50/60 Hz	kW	0.85	-
208-240V 3 AC 50/60 Hz	kW	-	5.6
380-415V 3/3N AC 50/60 Hz	kW	-	5.6
Steam, air and vacuum connection			
Steam	DN	10	-
Rec. steam pressure	kPa	400-600	200-250
Steam consumption	kg/h	4	-
Condensate	DN	15	-
Water supply	mm	-	Ø12
Boiler drain	DN	-	10
Compressed air	DN	8	-
Rec. air pressure	kPa	500-700	600-700
Air consumption	l/min	300	300
Vacuum outlet	mm	Ø100	Ø100
Shipping data			
	net, kg	70	105
	crated, kg	100	135
	boxed, kg	140	175
Dimensions in mm			
A Width		1520	1600
B Depth		435	470
C Height		920	920

- 1 Control panel
- 2 Electrical connection
- 3 Steam connection
- 4 Condensate
- 5 Air connection
- 6 Boiler drain
- 7 Water supply
- 8 Vacuum outlet



Model FIT2B shown



Model FIT2B shown