

Trouser topper – creased trousers

FTT2



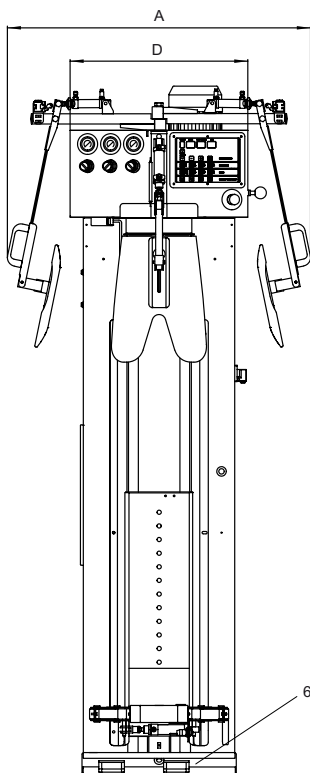
Features and benefits

- Electronic control panel that can store up to nine different ironing programs
- Front-to-back tensioning of the waistband
- Leg clamps for creased trousers
- Anti-stretching device on waistband
- Carriage height automatically selected by photocell
- Pleat clamps
- Easy operation via multipurpose pedal
- Adjustable blowing strength
- Adjustable tensioning pressure

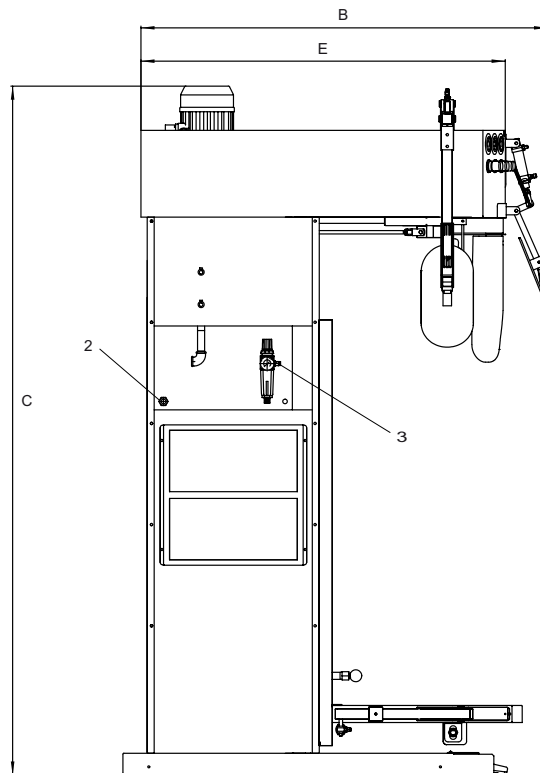
Main option

- 2HP motor

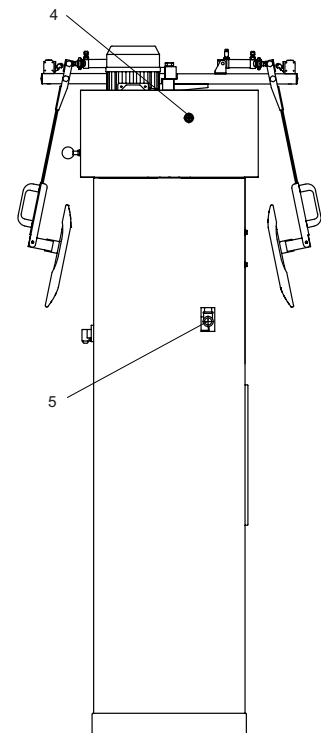
Electrical connections		FTT2
Voltage		
400V 3N AC 50Hz	kW(A)	2(10)
208-240V 3AC 60Hz	kW(A)	2(10)
Steam, air and vacuum connection		
Steam	DN	15
Steam consumption	kg/h	15-20
Rec. steam pressure	kPa	500-600
Condensate	DN	15
Compressed air	DN	8
Air consumption	l/min	40
Air pressure	kPa	600-700
Shipping data		
	net, kg	170
	crated, kg	190
Dimensions in mm		
A Width		915
B Depth		1135
C Height		2025
D		530
E		975
F		1900
1 Control panel 2 Electrical connections 3 Compressed air connection 4 Steam connection 5 Condensate 6 Pedal deck		



Front



Left side



Rear side

W00019