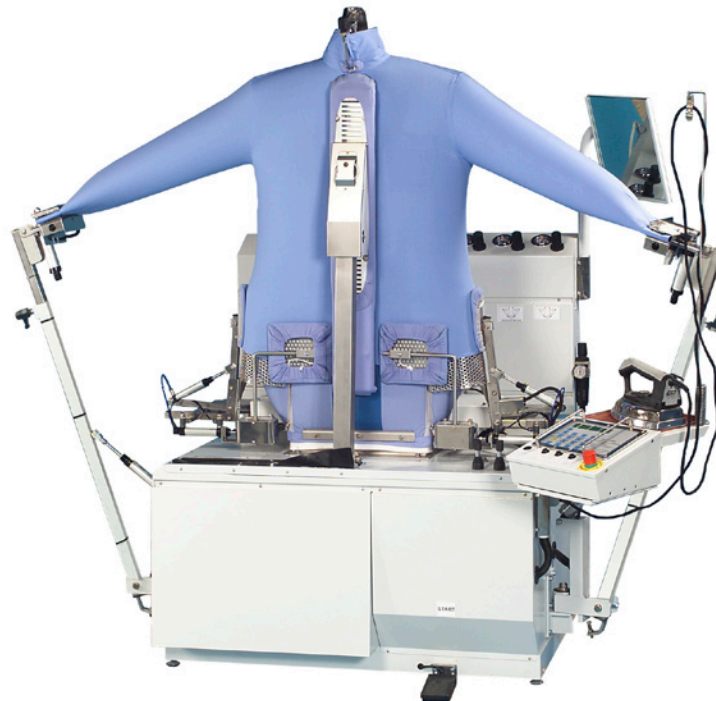


Shirt Finisher

FSF



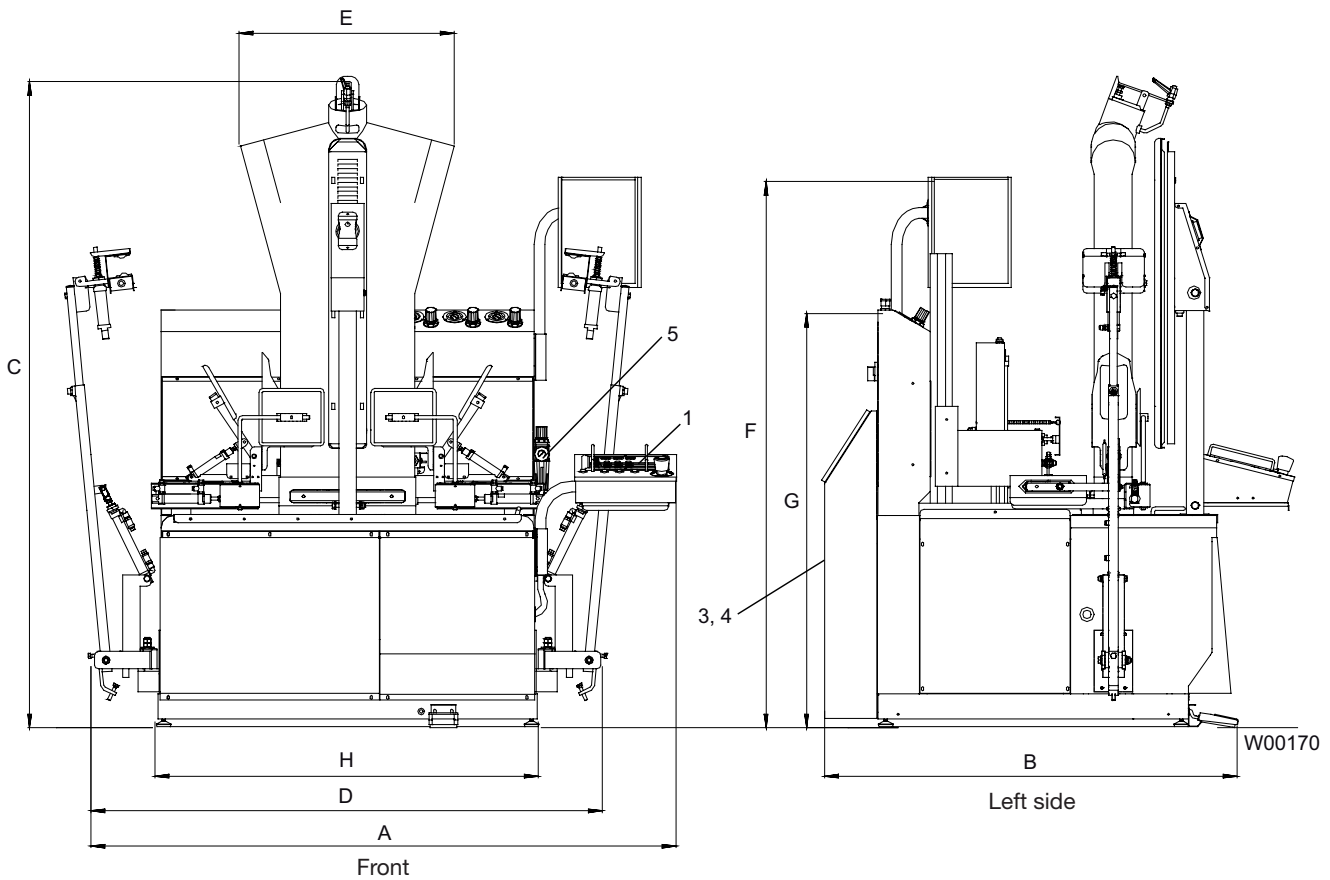
Features and benefits

- User-friendly control panel with display
- 9 different work programmes for shirts of any size and fabrics
- Automatic ironing control with microprocessor for an elevated productivity
- One multipurpose pedal only for work progress
- Pneumatic shoulders adjustment
- Holds shirt under tension during steam/air cycle for high standard finishing
- Side clamps with automatic vertical and horizontal size regulation
- Pivoting sleeves clamps with height adjustment
- Heated front clamp with horizontal movement
- Vacuum body on the front side for an easy shirt positioning
- High-efficiency air-heating battery
- Strong ventilation unit with air-capacity regulation
- Automatic size regulation
- Compact machine

Main options

- Electric iron
- Electric-steam iron
- All-steam iron
- Pneumatic sleeve clamps adjustment for quick operation and short sleeve device

Electrical connections		FSF
Voltage		
400V 3N AC 50Hz	kW(A)	2.9(10)
208-240V 3AC 60Hz	kW(A)	2.9(16)
Steam, air and vacuum connection		
Steam	DN	15
Rec. steam pressure	kPa	500-600
Steam consumption	kg/h	20-25
Condensate	DN	15
Compressed air	DN	8
Rec. air pressure	kPa	600-700
Air consumption	l/min	50
Weight		
	net, kg	230
	crated, kg	270
Dimensions in mm		
A	Width	1510
B	Depth	1320
C	Height	990
D		1700
E		460-560
F		1440
G		1090
H		1080
1 Control panel 2 Electrical connection 3 Steam connection 4 Condensate 5 Air connection		



Thinking of you
Electrolux

www.electrolux.com/laundrysystems

Share more of our thinking at www.electrolux.com